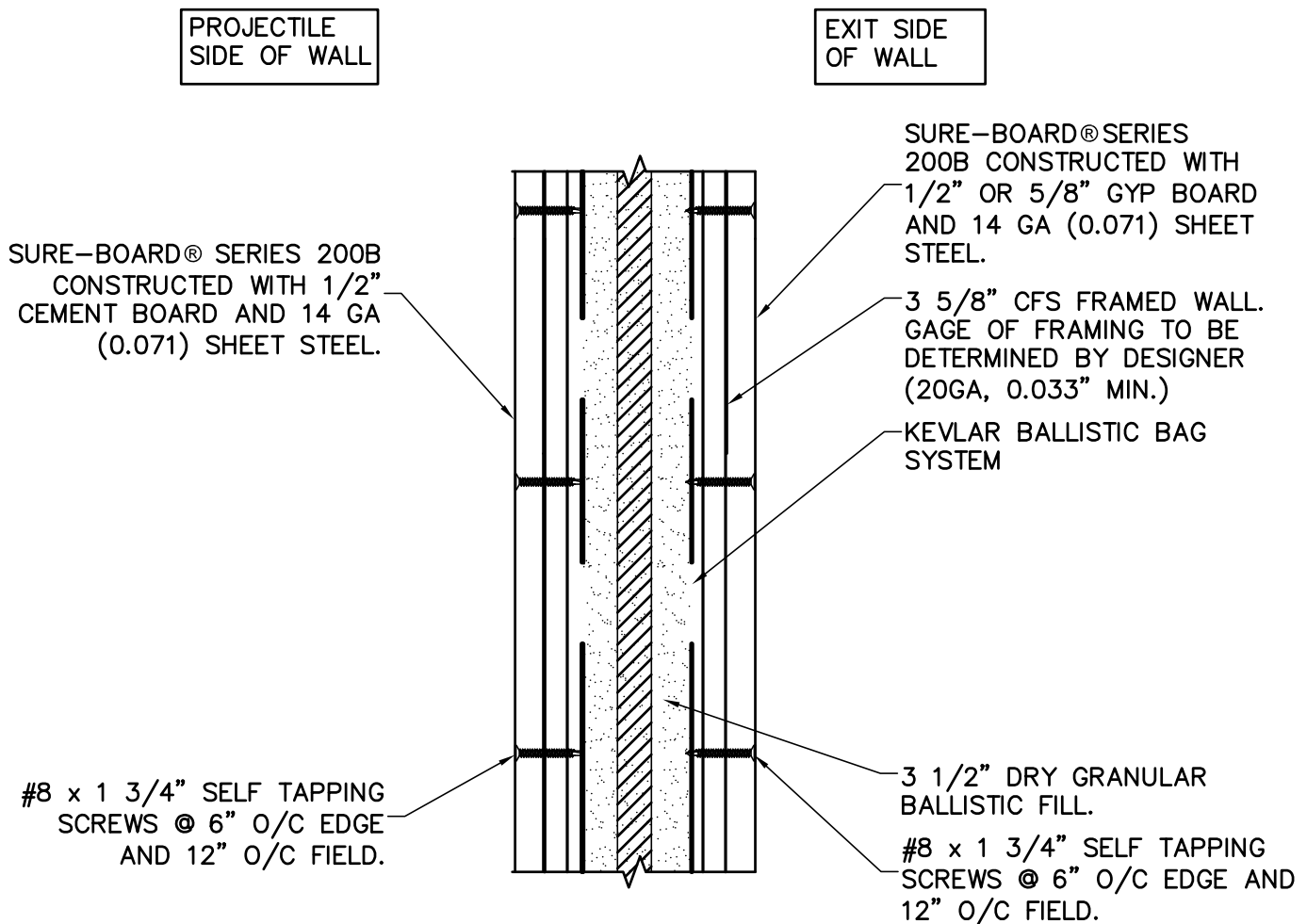


SURE-BOARD® SERIES 200B ASSEMBLY TESTED
AND APPROVED TO MEET UL752 LEVEL 5,
LEVEL 8 AND NIJ 0108.01 LEVEL III.



SAMPLE 2 WITH GRANULAR FILL